

DATE: _____ PURCHASE ORDER #: _____

COMPANY: _____

CONTACT NAME: _____

CONTACT NUMBER: _____

PRODUCT: POLISHED GRATE AND MATTE BLACK CHANNEL



WEDGE WIRE

GRATE AND CHANNEL



BRICK PATTERN

GRATE ONLY



FLOW PATTERN

CHANNEL ONLY



SQUARE BAR

DIMENSIONS (in millimetres)

LENGTH (L): _____

WIDTH (W): _____
(100mm is standard)

DEPTH (D): _____
(25mm is standard)

OUTLET POSITION (OP): _____
(measure to the centre of the outlet)

QUANTITY: _____

OUTLET SIZE

38MM

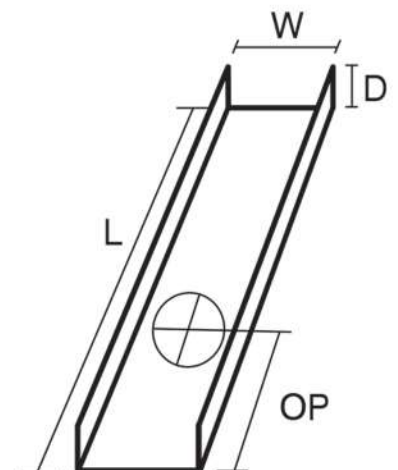
44MM

51MM

63MM

76MM

85MM



COMMENTS:
