

DATE: \_\_\_\_\_ PURCHASE ORDER #: \_\_\_\_\_

COMPANY: \_\_\_\_\_

CONTACT NAME: \_\_\_\_\_

CONTACT NUMBER: \_\_\_\_\_

**PRODUCT: NATURAL BRASS GRATE AND CHANNEL**



WEDGE WIRE

GRATE AND CHANNEL



TILE INSERT

GRATE ONLY



BRICK PATTERN

CHANNEL ONLY



FLOW PATTERN

**DIMENSIONS (in millimetres)**

LENGTH (L): \_\_\_\_\_

WIDTH (W): \_\_\_\_\_  
*(100mm is standard)*

DEPTH (D): \_\_\_\_\_  
*(25mm is standard)*

OUTLET POSITION (OP): \_\_\_\_\_  
*(measure to the centre of the outlet)*

QUANTITY: \_\_\_\_\_

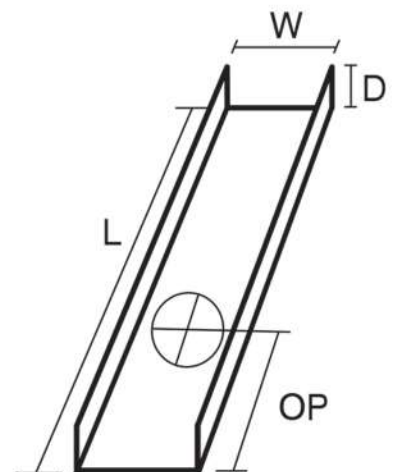
**OUTLET SIZE**

51MM

63MM

76MM

85MM



**COMMENTS:**

\_\_\_\_\_