

DATE: _____ PURCHASE ORDER #: _____

COMPANY: _____

CONTACT NAME: _____

CONTACT NUMBER: _____

PRODUCT: MATTE BLACK GRATE AND CHANNEL



WEDGE WIRE

GRATE AND CHANNEL



TILE INSERT

GRATE ONLY



BRICK PATTERN

CHANNEL ONLY



FLOW PATTERN



SQUARE BAR

DIMENSIONS (in millimetres)

LENGTH (L): _____

WIDTH (W): _____

(100mm is standard - wedge wire and tile insert also available in 75mm)

DEPTH (D): _____

(25mm is standard)

OUTLET POSITION (OP): _____

(measure to the centre of the outlet)

OUTLET SIZE

38MM

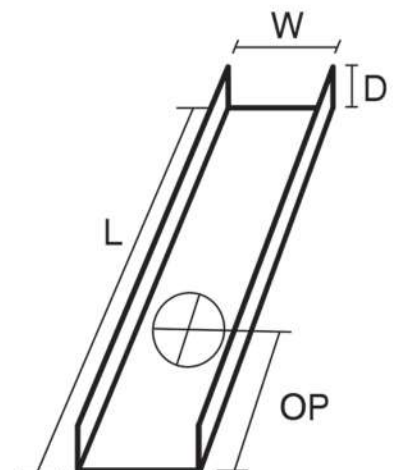
44MM

51MM

63MM

76MM

85MM



QUANTITY: _____

COMMENTS:
