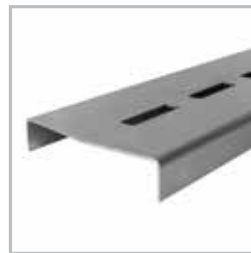
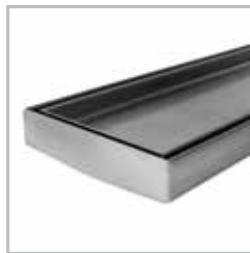
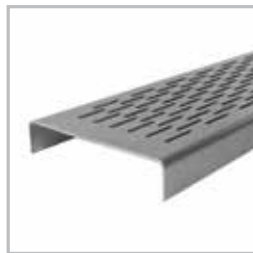


GRATES 2GO

AUSTRALIA



Shower Grate & Channel Product Catalogue



Wedge Wire Grate & Channel

PRODUCT CODE | G2GWW100304, G2GWW100316, G2GWW75304, G2GWW75316

Product Description

Our wedge wire grating option is one of the most popular in our range giving a clean lineal look to your bathroom or outdoor area.

Options

304 or 316 grade stainless steel

Standard Dimensions

100mm wide x 25mm deep

75mm wide x 25mm deep

(custom sizes available on request)

Benefits

Low cost, short lead time

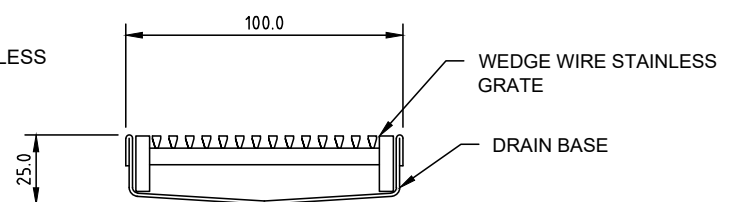
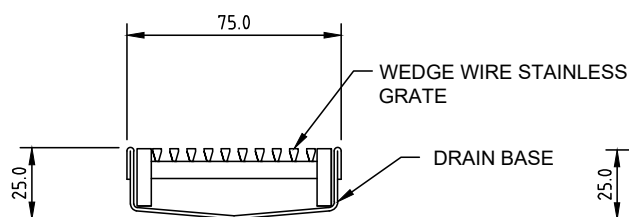
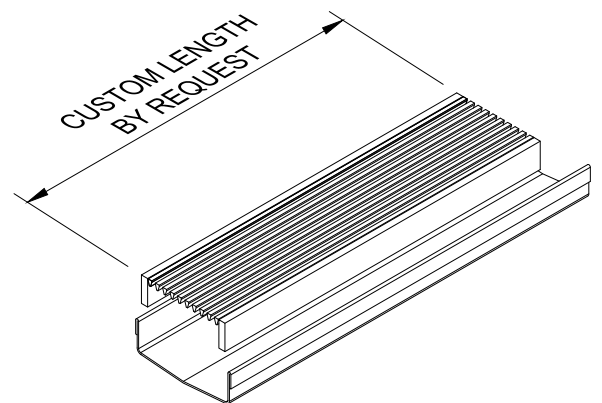
Outlet

Outlet size and position fitted to meet your requirements

Available sizes:

38mm, 44mm, 51mm, 63mm, 76mm, 85mm

Note: Minimum of 80mm outlet required to meet Australian Standards



Tile Insert Channel

PRODUCT CODE | G2GTL100304, G2GTL100316, G2GTL75304, G2GTL75316

Product Description

Our Tile Insert is without doubt the most popular drainage solution we provide with its discreet lines and almost invisible look

Options

304 or 316 grade stainless steel

Standard Dimensions

100mm wide x 25mm deep

75mm wide x 25mm deep

(custom sizes available on request)

Benefits

Low cost, short lead time

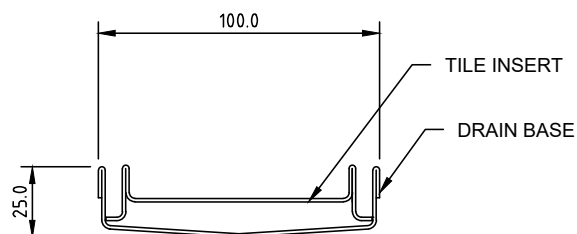
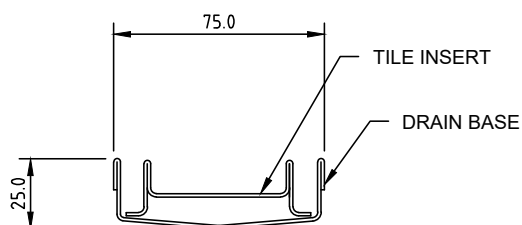
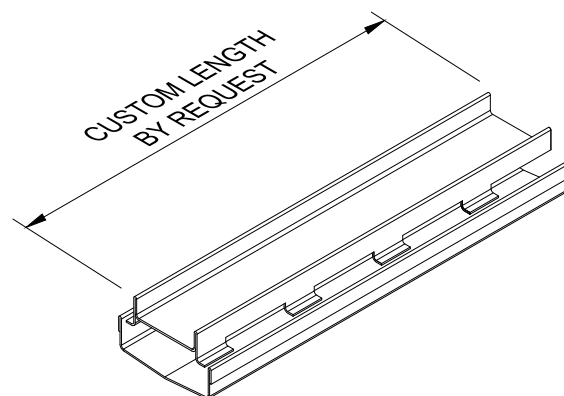
Outlet

Outlet size and position fitted to meet your requirements

Available sizes:

38mm, 44mm, 51mm, 63mm, 76mm, 85mm

Note: Minimum of 80mm outlet required to meet Australian Standards



Brick Pattern Grate & Channel

PRODUCT CODE | G2GBP100304, G2GBP100316, G2GBP75304, G2GBP75316

Product Description

Our Brick Pattern grate and channel has a lighter more structured look that gives a traditional feel in all bathroom installations.

Options

304 or 316 grade stainless steel

Standard Dimensions

100mm wide x 25mm deep

75mm wide x 25mm deep

(custom sizes available on request)

Benefits

Low cost, short lead time

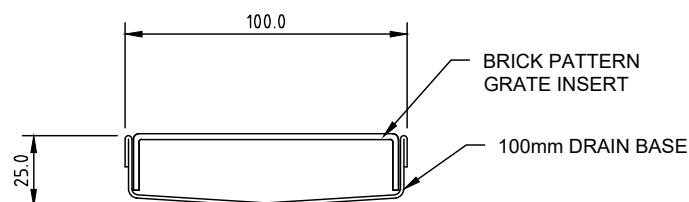
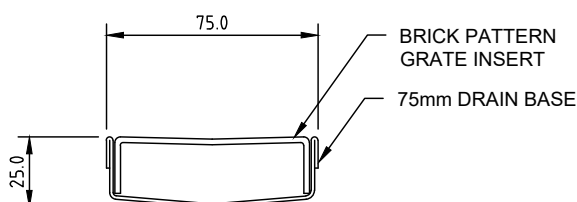
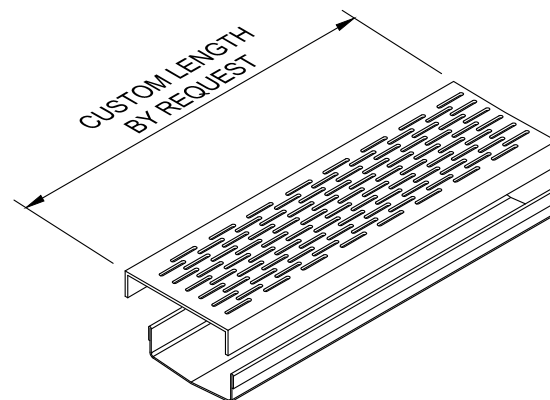
Outlet

Outlet size and position fitted to meet your requirements

Available sizes:

38mm, 44mm, 51mm, 63mm, 76mm, 85mm

Note: Minimum of 80mm outlet required to meet Australian Standards



Flow Pattern Grate & Channel

PRODUCT CODE | G2GFP100304, G2GFP100316, G2GFP75304, G2GFP75316

Product Description

Our Flow Pattern grate & channel removes the lineal look adding a soothing flowing look that breaks down the straight lines for a modern finish

Options

304 or 316 grade stainless steel

Standard Dimensions

100mm wide x 25mm deep

75mm wide x 25mm deep

(custom sizes available on request)

Benefits

Low cost, short lead time

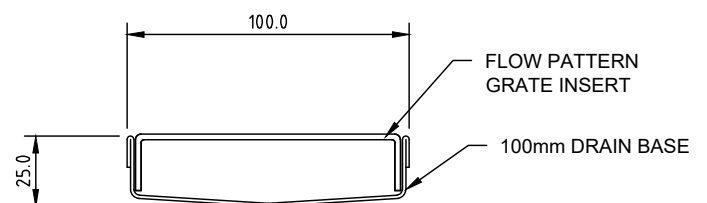
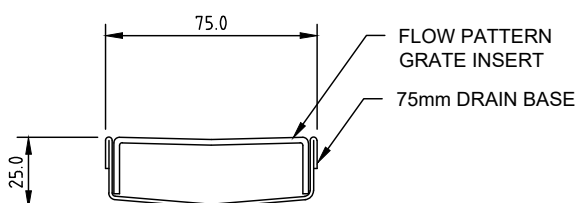
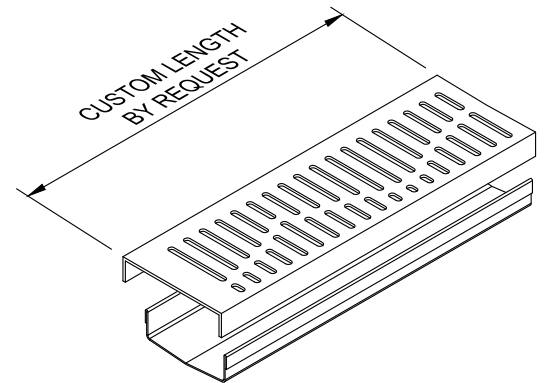
Outlet

Outlet size and position fitted to meet your requirements

Available sizes:

38mm, 44mm, 51mm, 63mm, 76mm, 85mm

Note: Minimum of 80mm outlet required to meet Australian Standards



Heavy Duty Grate & Channel

PRODUCT CODE | G2GHD100304, G2GHD100316, G2GHD150304, G2GHD150316

Product Description

Our Heavy Duty option of grating is the only solution for driveways, car parks and other high traffic areas. Manufactured to required load rating.

Options

304 or 316 grade stainless steel

Standard Dimensions

100mm wide x 50mm deep

150mm wide x 50mm deep

(custom sizes available on request)

Benefits

Low cost, short lead time

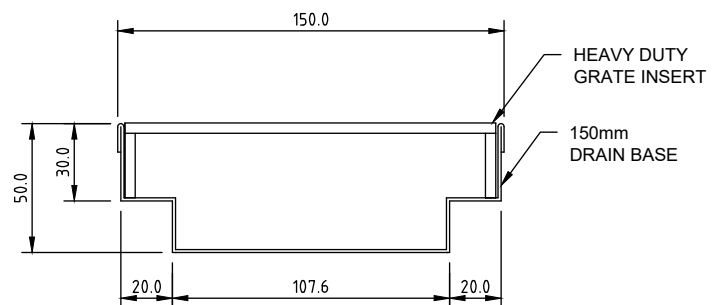
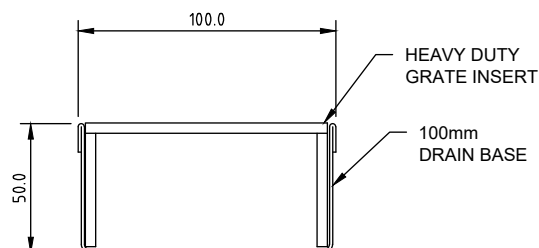
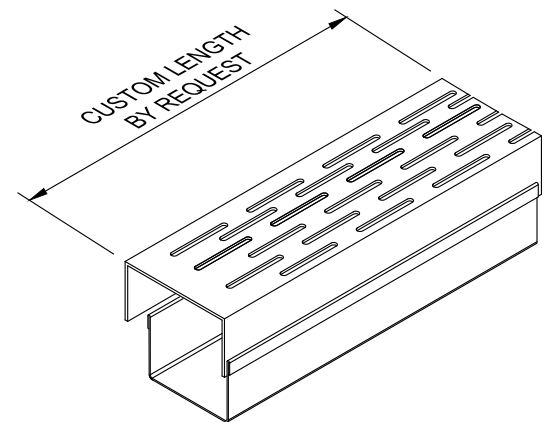
Outlet

Outlet size and position fitted to meet your requirements

Available sizes:

38mm, 44mm, 51mm, 63mm, 76mm, 85mm

Note: Minimum of 80mm outlet required to meet Australian Standards



Centre Line Grate & Channel

PRODUCT CODE | G2GCL100304, G2GCL100316, G2GCL75304, G2GCL75316

Product Description

Our Centre Line grate & channel provides a sleek clean look with a polished satin finish giving our most modern look of the range

Options

304 or 316 grade stainless steel

Standard Dimensions

100mm wide x 25mm deep

75mm wide x 25mm deep

(custom sizes available on request)

Benefits

Low cost, short lead time

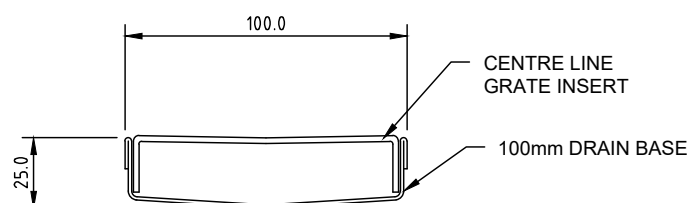
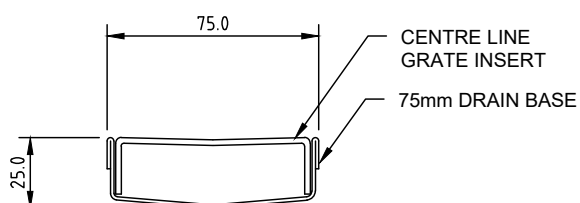
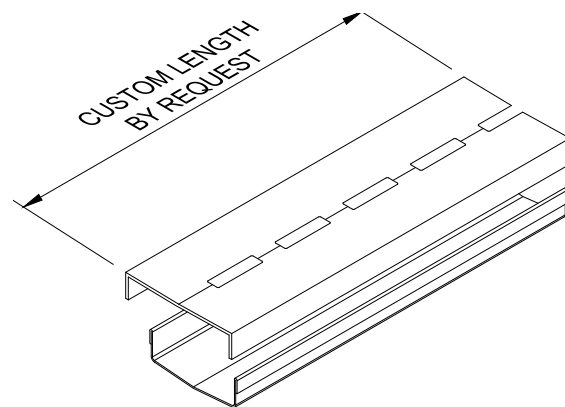
Outlet

Outlet size and position fitted to meet your requirements

Available sizes:

38mm, 44mm, 51mm, 63mm, 76mm, 85mm

Note: Minimum of 80mm outlet required to meet Australian Standards



Tile Insert Point Drain

PRODUCT CODE | G2GS11780

Product Description

Cast Stainless Steel with a mirror polish finish on the visible edge giving you a life time of that polished stainless steel look

Options

Electropolished Stainless Steel

Standard Dimensions

117mm x 117mm x 23mm deep

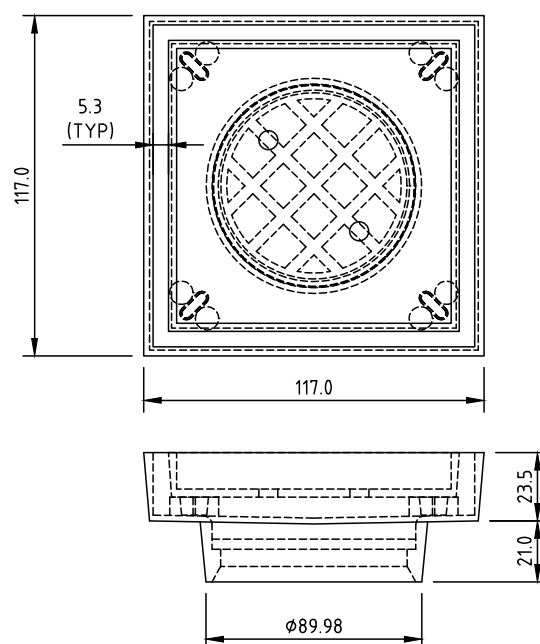
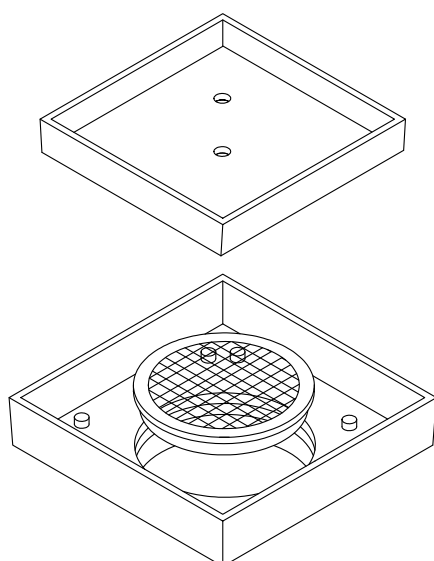
Benefits

Low cost, short lead time and in stock
Manufactured in full cast stainless steel

Outlet

80mm

Note: Minimum of 80mm outlet required to meet Australian Standards



Threshold Channel

PRODUCT CODE | G2GTHRESH304, G2GTHRESH316

Product Description

Doorsills can be drained whilst keeping the inside and outside surfaces on the same level. Your choice of removable grating or tile insert.

Options

304 or 316 grade stainless steel

Standard Dimensions

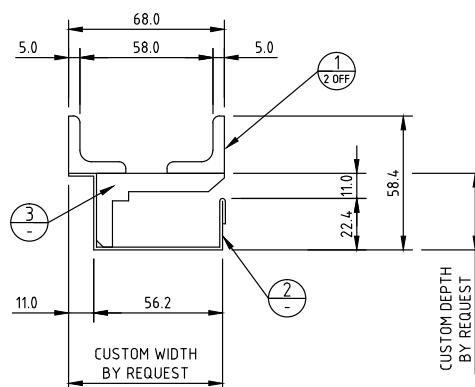
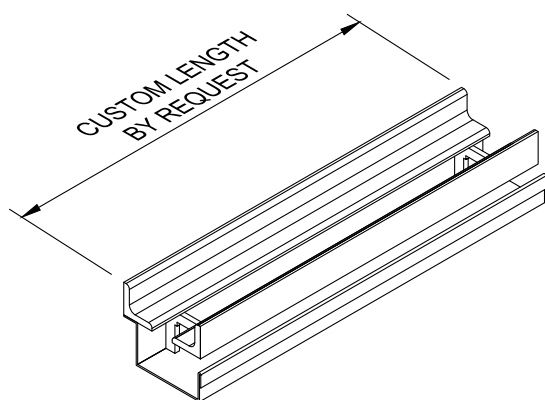
With the general design remaining our Threshold Channel is custom made to suit your requirements. The overall width & depth is manufactured to suit your installation.

Benefits

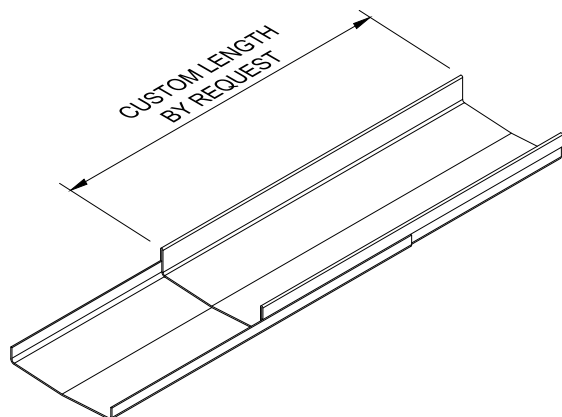
Low cost, short lead time

Outlet

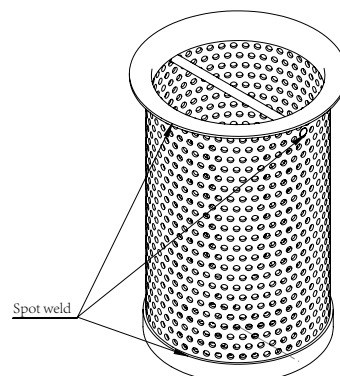
Outlet size and position fitted to meet your requirements



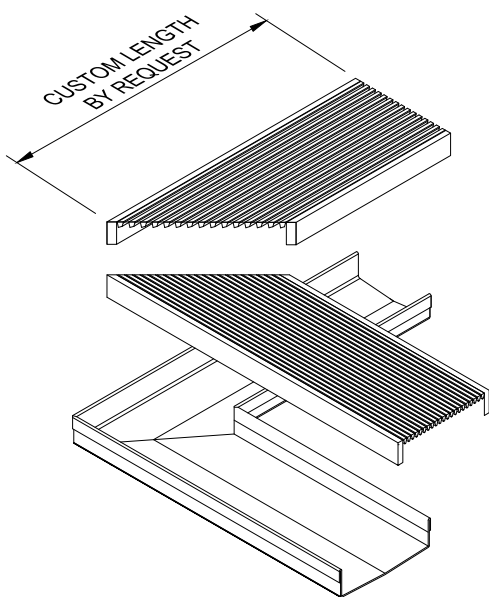
Available Options



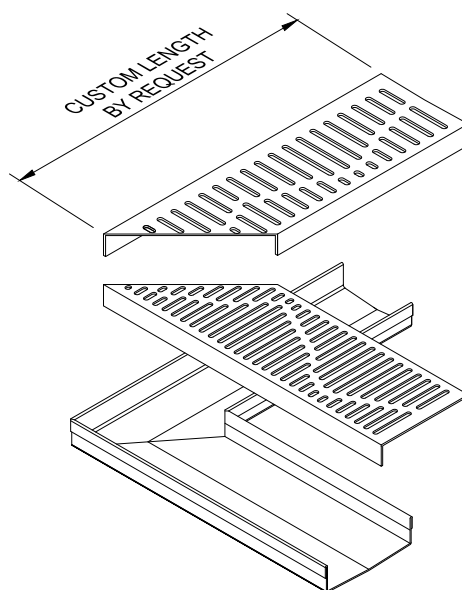
Joining Sections for Long Site Installations



Stainless Steel Removeable Perforated Basket
(Electro Polished)



90° Option for Wedge Wire Grate
(other custom angles available on request)



90° Option for Flow Pattern Grate
(other custom angles available on request)

NOTE: Electro Polishing of our grating is available on request and recommended for pool side installations to prevent staining from salt water and other pool water chemicals.

