


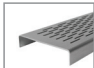

Simply fill out the order form and  
return it to your **Grates 2 Go** supplier

DATE ..... PURCHASE ORDER No. ....

COMPANY .....

CONTACT NAME .....

**GRATE PROFILE**

- |   |   |
|---|---|
| <input type="radio"/> Wedge Wire   | <input type="radio"/> Flow Pattern   |
| <input type="radio"/> Centre Line  | <input type="radio"/> Brick Pattern  |
| <input type="radio"/> Tile Insert  | <input type="radio"/> Heavy Duty     |
| <input type="radio"/> Threshold   |   |

- GRATE & CHANNEL**       **CHANNEL ONLY**       **GRATE ONLY**

**DIMENSIONS** (in millimetres)

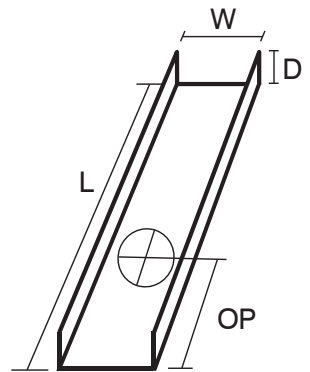
Length (L): .....

Width (W): .....  
(100mm & 75mm standard)

Outlet Position (OP): .....  
(measure to the centre of the outlet)

Depth (D): .....  
(25mm standard)

Quantity: .....



**OUTLET SIZE** (\* 85mm outlet complies with the Plumbing Code of Australia)

- 38mm     44mm     51mm     63mm     76mm     85mm\*     Other: .....

**STAINLESS STEEL GRADE**

- 304     316

**COMMENTS**